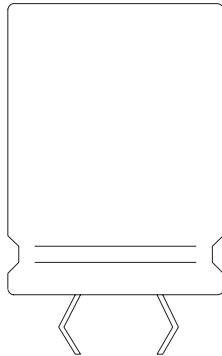


## Aluminum Electrolytic Capacitors Power Capacitor Style EYN - Snap-in Solder Pins


**FEATURES**

- Polarized Al electrolytic capacitor
- Very small dimension
- High C·U product
- Low impedance
- Extended temperature range: 3000h/85°C
- Long useful life

**APPLICATIONS**

- General use audio/video systems, industrial electronics
- Smoothing, filtering
- Standard and switch mode power supplies

<b>MAIN SPECIFICATIONS</b>			
ITEM	UNIT	LOW VOLTAGE	HIGH VOLTAGE
Nominal Case Size (D x L)	[mm]	22 x 20 to 40 x 60	
Rated Capacitance Range	[ $\mu$ F]	1200 - 100000	47 - 1800
Capacitance Tolerance	[%]	$\pm 20$	
Rated Voltage Range	[V]	6.3 - 100	160 - 500
Category Temperature Range	[°C]	- 40 to + 85 (U <sub>R</sub> $\geq$ 400 V: - 25 to + 85)	
Endurance Test at Upper Category Temperature	[h]	2000	
Useful Life at 85°C and I <sub>R</sub>	[h]	3000	
Useful Life at 40°C and I <sub>R</sub>	[h]	70000	
Sectional Specifications		IEC 384-4, CECC 30300, LL grade	
Detail Specifications		similar to CECC 30301-806 without quality assessment	
Climatic Category IEC 68 DIN 40040		40/85/56 GPF	
Failure Rate 0.8·U <sub>R</sub> ; 40°C	[10 <sup>-9</sup> /h]	$\leq 60$	

VALUES AND DIMENSIONS $U_R \leq 100V$								
Nominal size (D x L) in mm								
CAP [ $\mu F$ ]	$U_R$ [V]							
	6.3	10	16	25	35	50	63	100
1200								22x30 25x25
1500								25x25 25x30 30x25
1800							22x25	22x40 25x35 30x30
2200						22x25	22x30 25x25	22x45 25x40 30x30
2700							22x35 25x30	25x45 30x25 35x30
3300						22x30 25x25	22x35 25x30 30x25	25x50 30x40 35x35
3900							22x40 25x35 30x30	30x45 35x40
4700					22x30 25x25	22x40 25x35 30x25 35x25	22x50 25x40 30x35 35x30	30x50 35x40
5600				22x25	22x35 25x30	22x45 25x40 30x30 35x25	25x45 30x35 35x30	35x45 40x40
6800				22x30 25x25	22x40 25x30 30x25	22x50 25x40 30x25 35x30	25x50 30x40 35x30	40x50
8200				22x35 25x30	22x45 25x35 30x30	25x50 30x40 35x30	30x45 35x35	40x50
10000			22x25	22x40 25x30 30x25	22x50 25x40 30x30	30x45 35x35	30x50 35x40	
12000		22x25	22x30 25x25	22x45 25x35 30x30	25x45 30x35 35x30	30x50 35x40	35x45 40x40	
15000	22x25	22x30 25x25	22x25 25x30 30x25	22x50 25x40 30x25	30x40 35x35	35x45		
18000	22x30 25x25	22x35 25x25	22x40 25x35 30x30	25x45 30x35 35x30	30x45 35x40	35x50 40x40		
22000	22x35 25x25	22x40 25x30 30x25	22x50 25x40 30x30	30x45 35x35	35x45 40x40	40x50 40x60		
27000	22x40 25x30 30x25	22x45 25x35 30x30	25x45 30x35 35x25	30x50 35x40	40x50			
33000	22x45 25x35 30x30	22x50 25x40 30x30 35x25	30x40 35x30	35x45 40x40	40x50			
39000	22x50 25x40 30x30 35x25	25x45 30x35 35x30	30x45 35x35					
47000	25x45 30x35 35x30	25x50 30x40 35x30	30x50 35x40					
56000	25x50 30x40 35x30	30x45 35x35	35x45 40x40					
68000	30x45 35x35	35x40	35x50 40x50					
100000	35x45 40x40	40x50	40x60					

Special values/dimensions on request



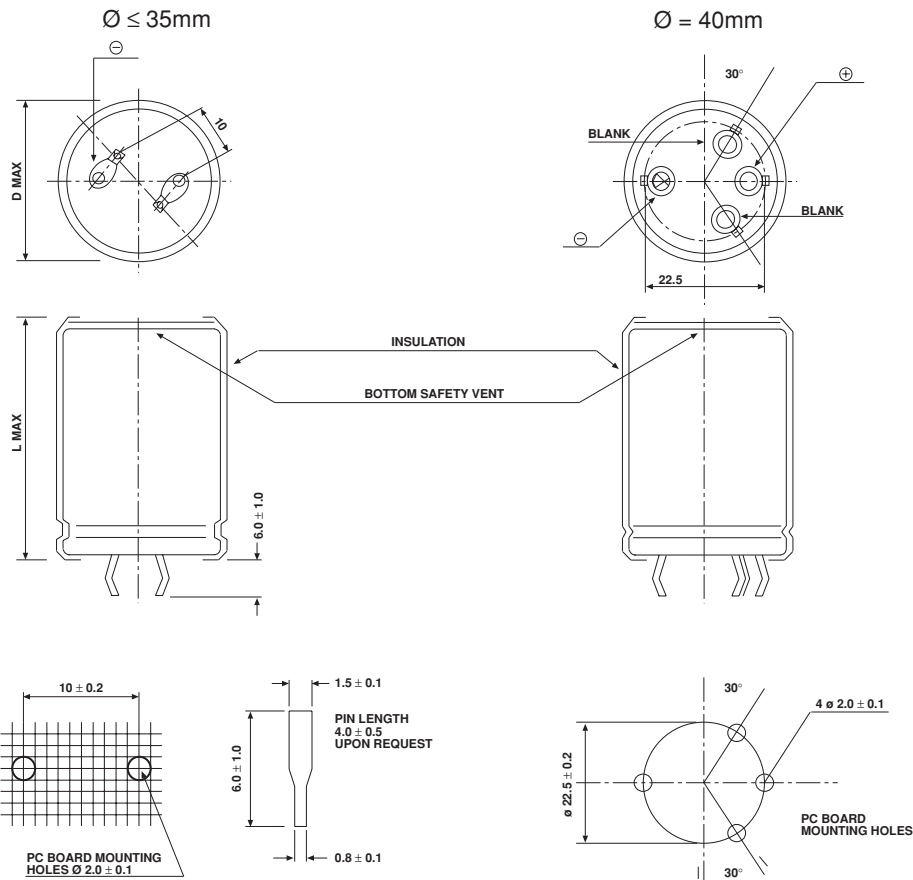
VALUES AND DIMENSIONS $U_R > 100V$							
Nominal size (D x L) in mm							
C [ $\mu F$ ]	$U_R$ [V]						
	160	200	250	350	400	450	500
47						22x20	
56						22x20	
68					22x20	22x25	22x30 25x20
82				22x20	22x25 25x20	22x20 25x25 30x20	22x35 25x30
100				22x25 25x20	22x30 25x25 30x20	22x35 25x30 30x25 35x20	22x40 25x35
120				22x30 25x25 30x20	22x30 25x25 30x20	22x40 25x35 30x25 35x20	25x40
150		22x25 25x20		22x35 25x30 30x20	22x35 25x30 30x25 35x20	22x50 25x40 30x30 35x25	30x35
180		22x20	22x25 25x20	22x40 25x35 30x25 35x20	22x40 25x35 30x25 35x25	25x45 30x25 35x25	30x40
220	22x20	22x25 25x20	22x25 25x25 30x20	22x45 25x35 30x30 35x25	22x45 25x40 30x30 35x25	25x50 30x40 35x30	30x45
270	22x25 25x20	22x25 25x25 30x20	22x30 25x25 30x20	25x45 30x35 35x25	25x45 30x35 35x30	30x45 35x35	35x45
330	22x25 25x20	22x30 25x25 30x20	22x35 25x30 30x25 35x20	25x50 30x40 35x30	25x50 30x40 35x30	30x50 35x40	35x50
390	22x25 25x25 30x20	22x30 25x25 30x25 35x20	22x40 25x30 30x25 35x20	30x45 35x35	30x45 35x35	35x45	
470	22x30 25x25 30x20	22x35 25x30 30x25 35x20	22x45 25x35 30x30 35x25	30x50 35x40	30x50 35x40	35x50 40x40	40x50
560	22x35 25x30 30x25 35x20	22x40 25x35 30x25 35x25	22x50 25x40 30x30 35x25	35x45	35x45 40x40	40x50	40x60
680	22x40 25x30 30x25 35x20	22x45 25x40 30x30 35x25	25x45 30x35 35x30	35x50 40x40	40x50	40x60	40x60
820	22x45 25x35 30x30 35x25	22x50 25x45 30x35 35x30	30x40 35x35	40x50	40x60		
1000	22x50 25x40 30x30 35x25	30x40 35x30	30x45 35x40				
1200	25x45 30x35 35x30	30x45 35x35	35x45 40x40				
1500	30x40 35x35	30x50 35x40	35x50 40x50				
1800	35x40 40x40	35x45 40x40	40x60				

Special values/dimensions on request

**DIMENSIONS AND PACKAGING QUANTITIES**

Nominal size D x L mm x mm	Maximum size D <sub>max</sub> x L <sub>max</sub> mm x mm	Packaging quantity pcs
22 x 20 22 x 25 22 x 30 22 x 35 22 x 40 22 x 45	23 x 22 23 x 27 23 x 32 23 x 37 23 x 42 23 x 47	200
25 x 20 25 x 25 25 x 30 25 x 35 25 x 40 25 x 50	26.4 x 22 26.4 x 27 26.4 x 32 26.4 x 37 26.4 x 42 26.4 x 52	150
30 X 20 30 X 25 30 X 30 30 X 35 30 X 40 30 X 45 30 X 50	31 X 22 31 X 27 31 X 32 31 X 37 31 X 42 31 X 47 31 X 52	100
35 X 20 35 X 25 35 X 30 35 X 35 35 X 40 35 X 45 35 X 50	36 X 22 36 X 27 36 X 32 36 X 37 36 X 42 36 X 47 36 X 52	70
40 X 40 40 X 50 40 X 60	41 X 42 41 X 52 41 X 62	50

**SNAP-IN STYLE TERMINATIONS**





**ORDERING INFORMATION AND EXAMPLE**

The 12<sup>th</sup> place of ordering code refers to the length of the snap-in pins

EYN07...02                      0 = snap-in pin 6 mm  
 EYN07...42                      4 = snap-in pin 4 mm

The 13<sup>th</sup> place of ordering code refers to the kind of insulation

EYN07...02                      2 = fully insulated

On special request only:

EYN07...01                      1 = sleeve insulation

The 14<sup>th</sup> place, not indicated in the following table, is an inter-company code and is not relevant to your order.

EYN07LV447F42 = EYN 4700µF/35V 22mm x 30 mm, snap-in pin 4 mm, fully insulated

**MEASURING CONDITIONS AND FORMULA LEGEND**

T<sub>a</sub> = 20°C, p = 80-120 kPa, RH = 45-75%

- C<sub>R</sub>            Rated capacitance at 120 Hz
- U<sub>R</sub>            Rated voltage
- tan δ        Dissipation factor at 120 Hz
- R<sub>ESR</sub>        Equivalent series resistance at 120 Hz
- Z             Impedance at 10 kHz
- I<sub>R</sub>            Rated alternating current (rms),  
120 Hz, upper category temperature

<b>ELECTRICAL CHARACTERISTICS, WEIGHT AND ORDERING CODE</b>								
C <sub>R</sub> 120 Hz [µF]	RATED VOLTAGE U <sub>R</sub> [V]	DIMENSION D x L [mm]	TAN δ 120 Hz MAX.	R <sub>ESR</sub> 120 Hz MAX. [Ω]	Z 10 kHz MAX. [Ω]	I <sub>R</sub> 120 Hz 85°C [A]	WEIGHT [g]	ORDERING NO.
15000	6.3	22 x 25	0.59	0.055	0.045	2.9	14	EYN07LU515B02
18000	6.3	22 x 30	0.62	0.050	0.040	3.3	16	EYN07LV518B02
18000	6.3	25 x 25	0.62	0.050	0.040	3.4	18	EYN07AU518B02
22000	6.3	22 x 35	0.66	0.040	0.035	3.7	19	EYN07LA522B02
22000	6.3	25 x 25	0.66	0.040	0.035	3.6	18	EYN07AU522B02
27000	6.3	22 x 40	0.71	0.035	0.030	4.1	22	EYN07LB527B02
27000	6.3	25 x 30	0.71	0.035	0.030	4.1	21	EYN07AV527B02
27000	6.3	30 x 25	0.71	0.035	0.030	4.2	25	EYN07BU527B02
33000	6.3	22 x 45	0.77	0.035	0.030	4.6	24	EYN07LC533B02
33000	6.3	25 x 35	0.77	0.035	0.030	4.5	25	EYN07AA533B02
33000	6.3	30 x 30	0.77	0.035	0.030	4.6	30	EYN07BV533B02
39000	6.3	22 x 50	0.83	0.030	< 0.030	5.0	27	EYN07LD539B02
39000	6.3	25 x 40	0.83	0.030	< 0.030	4.9	28	EYN07AB539B02
39000	6.3	30 x 30	0.83	0.030	< 0.030	4.8	30	EYN07BV539B02
39000	6.3	35 x 25	0.83	0.030	< 0.030	4.9	34	EYN07CU539B02
47000	6.3	25 x 45	0.91	0.030	< 0.030	5.4	31	EYN07AC547B02
47000	6.3	30 x 35	0.91	0.030	< 0.030	5.3	35	EYN07BA547B02
47000	6.3	35 x 30	0.91	0.030	< 0.030	5.4	41	EYN07CV547B02
56000	6.3	25 x 50	1.00	< 0.030	< 0.030	5.8	35	EYN07AD556B02
56000	6.3	30 x 40	1.00	< 0.030	< 0.030	5.8	40	EYN07BB556B02
56000	6.3	35 x 30	1.00	< 0.030	< 0.030	5.6	41	EYN07CV556B02
68000	6.3	30 x 45	1.12	< 0.030	< 0.030	6.2	45	EYN07BC568B02
68000	6.3	35 x 35	1.12	< 0.030	< 0.030	6.1	48	EYN07CA568B02
100000	6.3	35 x 40	1.44	< 0.030	< 0.030	7.1	62	EYN07CC610B02
100000	6.3	40 x 40	1.44	< 0.030	< 0.030	7.2	72	EYN07DB610B02

ELECTRICAL CHARACTERISTICS, WEIGHT AND ORDERING CODE								
$C_R$ 120 Hz [ $\mu$ F]	RATED VOLTAGE $U_R$ [V]	DIMENSION D x L [mm]	TAN $\delta$ 120 Hz MAX.	$R_{ESR}$ 120 Hz MAX. [ $\Omega$ ]	Z 10 kHz MAX. [ $\Omega$ ]	$I_R$ 120 Hz 85°C [A]	WEIGHT [g]	ORDERING NO.
12000	10	22 x 25	0.51	0.060	0.050	2.8	14	EYN07LU512C02
15000	10	22 x 30	0.54	0.050	0.040	3.2	16	EYN07LV515C02
15000	10	25 x 25	0.54	0.050	0.040	2.9	18	EYN07AU515C02
18000	10	22 x 35	0.57	0.045	0.035	3.6	19	EYN07LA518C02
18000	10	25 x 25	0.57	0.045	0.035	3.5	18	EYN07AU518C02
22000	10	22 x 40	0.61	0.040	0.030	4.1	22	EYN07LB522C02
22000	10	25 x 30	0.61	0.040	0.030	4.0	21	EYN07AV522C02
22000	10	30 x 25	0.61	0.040	0.030	4.1	25	EYN07BU522C02
27000	10	22 x 45	0.66	0.035	0.030	4.5	24	EYN07LC527C02
27000	10	25 x 35	0.66	0.035	0.030	4.5	25	EYN07AA527C02
27000	10	30 x 30	0.66	0.035	0.030	4.6	30	EYN07BV527C02
33000	10	22 x 50	0.72	0.030	< 0.030	4.9	27	EYN07LD533C02
33000	10	25 x 40	0.72	0.030	< 0.030	4.9	28	EYN07AB533C02
33000	10	30 x 30	0.72	0.030	< 0.030	4.8	30	EYN07BV533C02
33000	10	35 x 25	0.72	0.030	< 0.030	4.9	34	EYN07CU533C02
39000	10	25 x 45	0.78	0.030	< 0.030	5.4	31	EYN07AC539C02
39000	10	30 x 25	0.78	0.030	< 0.030	5.3	25	EYN07BU539C02
39000	10	35 x 30	0.78	0.030	< 0.030	5.4	41	EYN07CV539C02
47000	10	25 x 50	0.86	< 0.030	< 0.030	5.8	35	EYN07AD547C02
47000	10	30 x 40	0.86	< 0.030	< 0.030	5.8	40	EYN07BB547C02
47000	10	35 x 30	0.86	< 0.030	< 0.030	5.6	41	EYN07CV547C02
56000	10	30 x 45	0.95	< 0.030	< 0.030	6.2	45	EYN07BC556C02
56000	10	35 x 35	0.95	< 0.030	< 0.030	6.1	48	EYN07CA556C02
68000	10	35 x 40	1.07	< 0.030	< 0.030	6.6	55	EYN07CB568C02
100000	10	40 x 50	1.39	< 0.030	< 0.030	7.9	89	EYN07DD610C02
10000	16	22 x 25	0.44	0.060	0.050	2.8	14	EYN07LU510D02
12000	16	22 x 30	0.46	0.055	0.040	3.0	16	EYN07LV512D02
12000	16	25 x 25	0.46	0.055	0.040	3.3	18	EYN07AU512D02
15000	16	22 x 35	0.49	0.045	0.035	3.6	19	EYN07LA515D02
15000	16	25 x 30	0.49	0.045	0.035	3.8	21	EYN07AV515D02
15000	16	30 x 25	0.49	0.045	0.035	3.9	25	EYN07BU515D02
18000	16	22 x 40	0.52	0.040	0.030	4.1	22	EYN07LB518D02
18000	16	25 x 35	0.52	0.040	0.030	4.2	25	EYN07AA518D02
18000	16	30 x 30	0.52	0.040	0.030	4.3	30	EYN07BV518D02
22000	16	22 x 50	0.56	0.035	0.030	4.7	27	EYN07LD522D02
22000	16	25 x 40	0.56	0.035	0.030	4.7	28	EYN07AB522D02
22000	16	30 x 30	0.56	0.035	0.030	4.6	30	EYN07BV522D02
27000	16	25 x 45	0.61	0.030	< 0.030	5.2	31	EYN07AC527D02
27000	16	30 x 35	0.61	0.030	< 0.030	5.1	35	EYN07BA527D02
27000	16	35 x 25	0.61	0.030	< 0.030	4.9	34	EYN07CU527D02
33000	16	30 x 40	0.67	0.030	< 0.030	5.6	40	EYN07BB533D02
33000	16	35 x 30	0.67	0.030	< 0.030	5.4	41	EYN07CV533D02
39000	16	30 x 45	0.73	< 0.030	< 0.030	6.0	45	EYN07BC539D02
39000	16	35 x 35	0.73	< 0.030	< 0.030	5.9	48	EYN07CA539D02
47000	16	30 x 50	0.81	< 0.030	< 0.030	6.5	50	EYN07BD547D02
47000	16	35 x 40	0.81	< 0.030	< 0.030	6.4	55	EYN07CB547D02
56000	16	35 x 45	0.90	< 0.030	< 0.030	6.9	62	EYN07CC556D02
56000	16	40 x 40	0.90	< 0.030	< 0.030	7.0	72	EYN07DB556D02
68000	16	35 x 50	1.02	< 0.030	< 0.030	7.3	68	EYN07CD568D02
68000	16	40 x 50	1.02	< 0.030	< 0.030	7.8	89	EYN07DD568D02
100000	16	40 x 60	1.34	< 0.030	< 0.030	8.7	107	EYN07DF610D02



ELECTRICAL CHARACTERISTICS, WEIGHT AND ORDERING CODE								
C <sub>R</sub> 120 Hz [μF]	RATED VOLTAGE U <sub>R</sub> [V]	DIMENSION D x L [mm]	TAN δ 120 Hz MAX.	R <sub>ESR</sub> 120 Hz MAX. [Ω]	Z 10 kHz MAX. [Ω]	I <sub>R</sub> 120 Hz 85°C [A]	WEIGHT [g]	ORDERING NO.
5600	25	22 x 25	0.37	0.090	0.070	2.3	14	EYN07LU456E02
6800	25	22 x 30	0.38	0.075	0.060	2.6	16	EYN07LV468E02
6800	25	25 x 25	0.38	0.075	0.060	2.7	18	EYN07AU468E02
8200	25	22 x 35	0.39	0.065	0.050	2.9	19	EYN07LA482E02
8200	25	25 x 30	0.39	0.065	0.050	3.0	21	EYN07AV482E02
10000	25	22 x 40	0.41	0.055	0.045	3.4	22	EYN07LB510E02
10000	25	25 x 30	0.41	0.055	0.045	3.3	21	EYN07AV510E02
10000	25	30 x 25	0.41	0.055	0.045	3.4	25	EYN07BU510E02
12000	25	22 x 45	0.42	0.050	0.035	3.7	24	EYN07LC512E02
12000	25	25 x 35	0.42	0.050	0.035	3.7	25	EYN07AA512E02
12000	25	30 x 30	0.42	0.050	0.035	3.8	30	EYN07BV512E02
15000	25	22 x 50	0.44	0.040	0.030	4.2	27	EYN07LD515E02
15000	25	25 x 40	0.44	0.040	0.030	4.2	28	EYN07AB515E02
15000	25	30 x 35	0.44	0.040	0.030	4.3	35	EYN07BA515E02
18000	25	25 x 45	0.47	0.035	0.030	4.6	31	EYN07AC518E02
18000	25	30 x 35	0.47	0.035	0.030	4.6	35	EYN07BA518E02
18000	25	35 x 30	0.47	0.035	0.030	4.7	41	EYN07CV518E02
22000	25	30 x 45	0.50	0.030	< 0.030	5.3	45	EYN07BC522E02
22000	25	35 x 35	0.50	0.030	< 0.030	5.2	48	EYN07CA522E02
27000	25	30 x 50	0.54	0.030	< 0.030	5.8	50	EYN07BD527E02
27000	25	35 x 40	0.54	0.030	< 0.030	5.7	55	EYN07CB527E02
33000	25	35 x 45	0.58	< 0.030	< 0.030	6.2	62	EYN07CC533E02
33000	25	40 x 40	0.58	< 0.030	< 0.030	6.4	72	EYN07DB533E02
4700	35	22 x 30	0.29	0.085	0.060	2.6	16	EYN07LV447F02
4700	35	25 x 25	0.29	0.085	0.060	2.5	18	EYN07AU447F02
5600	35	22 x 35	0.30	0.075	0.055	2.8	19	EYN07LA456F02
5600	35	25 x 30	0.30	0.075	0.055	2.9	21	EYN07AV456F02
6800	35	22 x 40	0.30	0.060	0.045	3.2	22	EYN07LB468F02
6800	35	25 x 30	0.30	0.060	0.045	3.1	21	EYN07AV468F02
6800	35	30 x 25	0.30	0.060	0.045	3.2	25	EYN07BU468F02
8200	35	22 x 45	0.31	0.055	0.040	3.5	24	EYN07LC482F02
8200	35	25 x 35	0.31	0.055	0.040	3.5	25	EYN07AA482F02
8200	35	30 x 30	0.31	0.055	0.040	3.6	30	EYN07BV482F02
10000	35	22 x 50	0.32	0.045	0.035	4.0	27	EYN07LD510F02
10000	35	25 x 40	0.32	0.045	0.035	4.0	28	EYN07AB510F02
10000	35	30 x 30	0.32	0.045	0.035	3.9	30	EYN07BV510F02
12000	35	25 x 45	0.34	0.040	0.030	4.4	31	EYN07AC512F02
12000	35	30 x 35	0.34	0.040	0.030	4.3	35	EYN07BA512F02
12000	35	35 x 30	0.34	0.040	0.030	4.5	41	EYN07CV512F02
15000	35	30 x 40	0.36	0.035	< 0.030	4.9	40	EYN07BB515F02
15000	35	35 x 35	0.36	0.035	< 0.030	5.0	48	EYN07CA515F02
18000	35	30 x 45	0.38	0.030	< 0.030	5.3	45	EYN07BC518F02
18000	35	35 x 40	0.38	0.030	< 0.030	5.5	55	EYN07CB518F02
22000	35	35 x 45	0.40	< 0.030	< 0.030	6.0	62	EYN07CC522F02
22000	35	40 x 40	0.40	< 0.030	< 0.030	6.1	72	EYN07DB522F02
27000	35	40 x 50	0.43	< 0.030	< 0.030	6.9	89	EYN07DD527F02
33000	35	40 x 50	0.47	< 0.030	< 0.030	7.2	89	EYN07DD533F02
3300	50	22 x 30	0.23	0.095	0.075	2.5	16	EYN07LV433H02
3300	50	25 x 25	0.23	0.095	0.075	2.6	18	EYN07AU433H02
4700	50	22 x 40	0.24	0.070	0.055	3.3	22	EYN07LB447H02
4700	50	25 x 35	0.24	0.070	0.055	3.4	25	EYN07AA447H02
4700	50	30 x 25	0.24	0.070	0.055	3.3	25	EYN07BU447H02
4700	50	35 x 25	0.24	0.070	0.055	3.6	34	EYN07CU447H02
5600	50	22 x 45	0.24	0.060	0.045	3.6	24	EYN07LC456H02
5600	50	25 x 40	0.24	0.060	0.045	3.8	28	EYN07AB456H02
5600	50	30 x 30	0.24	0.060	0.045	3.7	30	EYN07BV456H02

ELECTRICAL CHARACTERISTICS, WEIGHT AND ORDERING CODE								
$C_R$ 120 Hz [ $\mu$ F]	RATED VOLTAGE $U_R$ [V]	DIMENSION D x L [mm]	TAN $\delta$ 120 Hz MAX.	$R_{ESR}$ 120 Hz MAX. [ $\Omega$ ]	Z 10 kHz MAX. [ $\Omega$ ]	$I_R$ 120 Hz 85°C [A]	WEIGHT [g]	ORDERING NO.
5600	50	35 x 25	0.24	0.060	0.045	3.8	34	EYN07CU456H02
6800	50	22 x 50	0.25	0.050	0.040	4.1	27	EYN07LD468H02
6800	50	25 x 40	0.25	0.050	0.040	4.0	28	EYN07AB468H02
6800	50	30 x 35	0.25	0.050	0.040	4.2	35	EYN07BA468H02
6800	50	35 x 30	0.25	0.050	0.040	4.3	41	EYN07CV468H02
8200	50	25 x 50	0.26	0.045	0.035	4.6	35	EYN07AD482H02
8200	50	30 x 40	0.26	0.045	0.035	4.6	40	EYN07BB482H02
8200	50	35 x 30	0.26	0.045	0.035	4.5	41	EYN07CV482H02
10000	50	30 x 45	0.26	0.035	0.030	5.2	45	EYN07BC510H02
10000	50	35 x 35	0.26	0.035	0.030	5.1	48	EYN07CA510H02
12000	50	30 x 50	0.27	0.035	< 0.030	5.6	50	EYN07BD512H02
12000	50	35 x 40	0.27	0.035	< 0.030	5.6	55	EYN07CB512H02
15000	50	35 x 45	0.28	0.030	< 0.030	6.1	62	EYN07CC515H02
18000	50	35 x 50	0.30	< 0.030	< 0.030	6.6	68	EYN07CD518H02
18000	50	40 x 40	0.30	< 0.030	< 0.030	6.5	72	EYN07DB518H02
22000	50	40 x 50	0.31	< 0.030	< 0.030	7.3	89	EYN07DD522H02
27000	50	40 x 60	0.34	< 0.030	< 0.030	8.0	107	EYN07DF527H02
1800	63	22 x 25	0.20	0.150	0.105	1.9	14	EYN07LU418J02
2200	63	22 x 30	0.20	0.125	0.090	2.1	16	EYN07LV422J02
2200	63	25 x 25	0.20	0.125	0.090	2.2	18	EYN07AU422J02
2700	63	22 x 35	0.21	0.105	0.075	2.5	19	EYN07LA427J02
2700	63	25 x 30	0.21	0.105	0.075	2.6	21	EYN07AV427J02
3300	63	22 x 35	0.21	0.085	0.060	2.7	19	EYN07LA433J02
3300	63	25 x 30	0.21	0.085	0.060	2.8	21	EYN07AV433J02
3300	63	30 x 25	0.21	0.085	0.060	2.8	25	EYN07BU433J02
3900	63	22 x 40	0.21	0.075	0.055	3.1	22	EYN07LB439J02
3900	63	25 x 35	0.21	0.075	0.055	3.2	25	EYN07AA439J02
3900	63	30 x 30	0.21	0.075	0.055	3.3	30	EYN07BV439J02
4700	63	22 x 50	0.22	0.065	0.045	3.6	27	EYN07LD447J02
4700	63	25 x 40	0.22	0.065	0.045	3.6	28	EYN07AB447J02
4700	63	30 x 35	0.22	0.065	0.045	3.5	35	EYN07BA447J02
4700	63	35 x 30	0.22	0.065	0.045	3.6	41	EYN07CV447J02
5600	63	25 x 45	0.22	0.055	0.040	4.0	31	EYN07AC456J02
5600	63	30 x 35	0.22	0.055	0.040	3.9	35	EYN07BA456J02
5600	63	35 x 30	0.22	0.055	0.040	4.0	41	EYN07CV456J02
6800	63	25 x 50	0.23	0.045	0.035	4.4	35	EYN07AD468J02
6800	63	30 x 40	0.23	0.045	0.035	4.4	40	EYN07BB468J02
6800	63	35 x 30	0.23	0.045	0.035	4.3	41	EYN07CV468J02
8200	63	30 x 45	0.24	0.040	0.030	4.8	45	EYN07BC482J02
8200	63	35 x 35	0.24	0.040	0.030	4.7	48	EYN07CA482J02
10000	63	30 x 50	0.25	0.035	< 0.030	5.4	50	EYN07BD510J02
10000	63	35 x 40	0.25	0.035	< 0.030	5.3	55	EYN07CB510J02
12000	63	35 x 45	0.26	0.030	< 0.030	5.8	62	EYN07CC512J02
12000	63	40 x 40	0.26	0.030	< 0.030	5.9	72	EYN07DB512J02
1200	100	22 x 30	0.15	0.165	0.115	2.0	16	EYN07LV412L02
1200	100	25 x 25	0.15	0.165	0.115	2.1	18	EYN07AU412L02
1500	100	22 x 35	0.15	0.135	0.090	2.4	19	EYN07LA415L02
1500	100	25 x 30	0.15	0.135	0.090	2.5	21	EYN07AV415L02
1500	100	30 x 25	0.15	0.135	0.090	2.6	25	EYN07BU415L02
1800	100	22 x 40	0.15	0.115	0.080	2.8	22	EYN07LB418L02
1800	100	25 x 35	0.15	0.115	0.080	2.9	25	EYN07AA418L02
1800	100	30 x 30	0.15	0.115	0.080	3.0	30	EYN07BV418L02
2200	100	22 x 45	0.15	0.095	0.065	3.0	24	EYN07LC422L02
2200	100	25 x 40	0.15	0.095	0.065	3.2	28	EYN07AB422L02





ELECTRICAL CHARACTERISTICS, WEIGHT AND ORDERING CODE								
C <sub>R</sub> 120 Hz [μF]	RATED VOLTAGE U <sub>R</sub> [V]	DIMENSION D x L [mm]	TAN δ 120 Hz MAX.	R <sub>ESR</sub> 120 Hz MAX. [Ω]	Z 10 kHz MAX. [Ω]	I <sub>R</sub> 120 Hz 85°C [A]	WEIGHT [g]	ORDERING NO.
2200	100	30 x 30	0.15	0.095	0.065	3.1	30	EYN07BV422L02
2700	100	25 x 45	0.16	0.080	0.055	3.7	31	EYN07AC427L02
2700	100	30 x 35	0.16	0.080	0.055	3.6	35	EYN07BA427L02
2700	100	35 x 30	0.16	0.080	0.055	3.7	41	EYN07CV427L02
3300	100	25 x 50	0.16	0.065	0.045	4.0	35	EYN07AD433L02
3300	100	30 x 40	0.16	0.065	0.045	4.0	40	EYN07BB433L02
3300	100	35 x 35	0.16	0.065	0.045	4.1	48	EYN07CA433L02
3900	100	30 x 45	0.16	0.060	0.040	4.6	45	EYN07BC439L02
3900	100	35 x 35	0.16	0.060	0.040	4.5	48	EYN07CA439L02
4700	100	30 x 50	0.17	0.050	0.035	5.0	50	EYN07BD447L02
4700	100	35 x 40	0.17	0.050	0.035	4.9	55	EYN07CB447L02
5600	100	35 x 45	0.17	0.045	0.030	5.4	62	EYN07CC456L02
5600	100	40 x 40	0.17	0.045	0.030	5.5	72	EYN07DB456L02
6800	100	40 x 50	0.18	0.040	< 0.030	6.3	89	EYN07DD468L02
8200	100	40 x 50	0.19	0.035	< 0.030	6.5	89	EYN07DD482L02
220	160	22 x 20	0.14	0.825	0.595	0.86	11	EYN07LW322M02
270	160	22 x 25	0.14	0.680	0.490	1.0	14	EYN07LU327M02
270	160	25 x 20	0.14	0.680	0.490	1.1	14	EYN07AW327M02
330	160	22 x 25	0.14	0.565	0.405	1.1	14	EYN07LU333M02
330	160	25 x 20	0.14	0.565	0.405	1.2	14	EYN07AW333M02
390	160	22 x 25	0.14	0.485	0.350	1.2	14	EYN07LU339M02
390	160	25 x 25	0.14	0.485	0.350	1.4	18	EYN07AU339M02
390	160	30 x 20	0.14	0.485	0.350	1.4	20	EYN07BW339M02
470	160	22 x 30	0.14	0.410	0.295	1.4	16	EYN07LV347M02
470	160	25 x 25	0.14	0.410	0.295	1.5	18	EYN07AU347M02
470	160	30 x 20	0.14	0.410	0.295	1.5	20	EYN07BW347M02
560	160	22 x 35	0.15	0.350	0.250	1.7	19	EYN07LA356M02
560	160	25 x 30	0.15	0.350	0.250	1.7	21	EYN07AV356M02
560	160	30 x 25	0.15	0.350	0.250	1.8	25	EYN07BU356M02
560	160	35 x 20	0.15	0.350	0.250	1.8	27	EYN07CW356M02
680	160	22 x 40	0.15	0.295	0.215	1.9	22	EYN07LB368M02
680	160	25 x 30	0.15	0.295	0.215	1.9	21	EYN07AV368M02
680	160	30 x 25	0.15	0.295	0.215	1.9	25	EYN07BU368M02
680	160	35 x 20	0.15	0.295	0.215	2.0	27	EYN07CW368M02
820	160	22 x 45	0.15	0.250	0.180	2.2	24	EYN07LC382M02
820	160	25 x 35	0.15	0.250	0.180	2.2	25	EYN07AA382M02
820	160	30 x 30	0.15	0.250	0.180	2.3	30	EYN07BV382M02
820	160	35 x 25	0.15	0.250	0.180	2.3	34	EYN07CU382M02
1000	160	22 x 50	0.16	0.215	0.155	2.6	27	EYN07LD410M02
1000	160	25 x 40	0.16	0.215	0.155	2.6	28	EYN07AB410M02
1000	160	30 x 30	0.16	0.215	0.155	2.5	30	EYN07BV410M02
1000	160	35 x 25	0.16	0.215	0.155	2.6	34	EYN07CU410M02
1200	160	25 x 45	0.16	0.185	0.135	2.7	31	EYN07AC412M02
1200	160	30 x 35	0.16	0.185	0.135	2.7	35	EYN07BA412M02
1200	160	35 x 30	0.16	0.185	0.135	2.8	41	EYN07CV412M02
1500	160	30 x 40	0.17	0.155	0.115	3.2	40	EYN07BB415M02
1500	160	35 x 35	0.17	0.155	0.115	3.3	48	EYN07CA415M02
1800	160	35 x 40	0.18	0.135	0.100	3.7	55	EYN07CB418M02
1800	160	40 x 40	0.18	0.135	0.100	4.0	72	EYN07DB418M02
180	200	22 x 20	0.13	0.925	0.695	0.77	11	EYN07LW318S02
220	200	22 x 25	0.13	0.765	0.575	0.93	14	EYN07LU322S02
220	200	25 x 20	0.13	0.765	0.575	0.94	14	EYN07AW322S02
270	200	22 x 25	0.13	0.630	0.475	1.0	14	EYN07LU327S02
270	200	25 x 25	0.13	0.630	0.475	1.1	18	EYN07AU327S02

ELECTRICAL CHARACTERISTICS, WEIGHT AND ORDERING CODE								
$C_R$ 120 Hz [ $\mu$ F]	RATED VOLTAGE $U_R$ [V]	DIMENSION D x L [mm]	TAN $\delta$ 120 Hz MAX.	$R_{ESR}$ 120 Hz MAX. [ $\Omega$ ]	Z 10 kHz MAX. [ $\Omega$ ]	$I_R$ 120 Hz 85°C [A]	WEIGHT [g]	ORDERING NO.
270	200	30 x 20	0.13	0.630	0.475	1.1	20	EYN07BW327S02
330	200	22 x 30	0.13	0.525	0.395	1.2	16	EYN07LV333S02
330	200	25 x 25	0.13	0.525	0.395	1.2	18	EYN07AU333S02
330	200	30 x 20	0.13	0.525	0.395	1.3	20	EYN07BW333S02
390	200	22 x 30	0.13	0.450	0.335	1.3	16	EYN07LV339S02
390	200	25 x 25	0.13	0.450	0.335	1.4	18	EYN07AU339S02
390	200	30 x 25	0.13	0.450	0.335	1.5	25	EYN07BU339S02
390	200	35 x 20	0.13	0.450	0.335	1.5	27	EYN07CW339S02
470	200	22 x 35	0.13	0.380	0.285	1.5	19	EYN07LA347S02
470	200	25 x 30	0.13	0.380	0.285	1.6	21	EYN07AV347S02
470	200	30 x 25	0.13	0.380	0.285	1.6	25	EYN07BU347S02
470	200	35 x 20	0.13	0.380	0.285	1.6	27	EYN07CW347S02
560	200	22 x 40	0.14	0.325	0.245	1.8	22	EYN07LB356S02
560	200	25 x 35	0.14	0.325	0.245	1.8	25	EYN07AA356S02
560	200	30 x 25	0.14	0.325	0.245	1.8	25	EYN07BU356S02
560	200	35 x 25	0.14	0.325	0.245	1.9	34	EYN07CU356S02
680	200	22 x 45	0.14	0.275	0.205	2.0	24	EYN07LC368S02
680	200	25 x 40	0.14	0.275	0.205	2.1	28	EYN07AB368S02
680	200	30 x 30	0.14	0.275	0.205	2.1	30	EYN07BV368S02
680	200	35 x 25	0.14	0.275	0.205	2.1	34	EYN07CU368S02
820	200	22 x 50	0.14	0.235	0.175	2.3	27	EYN07LD382S02
820	200	25 x 45	0.14	0.235	0.175	2.4	31	EYN07AC382S02
820	200	30 x 35	0.14	0.235	0.175	2.4	35	EYN07BA382S02
820	200	35 x 30	0.14	0.235	0.175	2.4	41	EYN07CV382S02
1000	200	30 x 40	0.15	0.200	0.150	2.8	40	EYN07BB410S02
1000	200	35 x 30	0.15	0.200	0.150	2.7	41	EYN07CV410S02
1200	200	30 x 45	0.15	0.175	0.130	3.0	45	EYN07BC412S02
1200	200	35 x 35	0.15	0.175	0.130	2.9	48	EYN07CA412S02
1500	200	30 x 50	0.16	0.145	0.110	3.5	50	EYN07BD415S02
1500	200	35 x 40	0.16	0.145	0.110	3.4	55	EYN07CB415S02
1800	200	35 x 45	0.17	0.130	0.100	3.9	62	EYN07CC418S02
1800	200	40 x 40	0.17	0.130	0.100	4.0	72	EYN07DB418S02
150	250	22 x 25	0.12	1.100	0.760	0.77	14	EYN07LU315N02
150	250	25 x 20	0.12	1.100	0.760	0.78	14	EYN07AW315N02
180	250	22 x 25	0.13	0.925	0.640	0.77	14	EYN07LU318N02
180	250	25 x 20	0.13	0.925	0.640	0.86	14	EYN07AW318N02
220	250	22 x 25	0.13	0.765	0.530	0.93	14	EYN07LU322N02
220	250	25 x 25	0.13	0.765	0.530	1.0	18	EYN07AU322N02
220	250	30 x 20	0.13	0.765	0.530	1.0	20	EYN07BW322N02
270	250	22 x 30	0.13	0.630	0.435	1.1	16	EYN07LV327N02
270	250	25 x 25	0.13	0.630	0.435	1.1	18	EYN07AU327N02
270	250	30 x 20	0.13	0.630	0.435	1.1	20	EYN07BW327N02
330	250	22 x 35	0.13	0.525	0.360	1.3	19	EYN07LA333N02
330	250	25 x 30	0.13	0.525	0.360	1.3	21	EYN07AV333N02
330	250	30 x 25	0.13	0.525	0.360	1.4	25	EYN07BU333N02
330	250	35 x 20	0.13	0.525	0.360	1.4	27	EYN07CW333N02
390	250	22 x 40	0.13	0.450	0.310	1.5	22	EYN07LB339N02
390	250	25 x 30	0.13	0.450	0.310	1.4	21	EYN07AV339N02
390	250	30 x 25	0.13	0.450	0.310	1.5	25	EYN07BU339N02
390	250	35 x 20	0.13	0.450	0.310	1.5	27	EYN07CW339N02
470	250	22 x 45	0.13	0.380	0.265	1.7	24	EYN07LC347N02
470	250	25 x 35	0.13	0.380	0.265	1.7	25	EYN07AA347N02
470	250	30 x 30	0.13	0.380	0.265	1.7	30	EYN07BV347N02
470	250	35 x 25	0.13	0.380	0.265	1.8	34	EYN07CU347N02
560	250	22 x 50	0.14	0.325	0.225	1.9	27	EYN07LD356N02
560	250	25 x 40	0.14	0.325	0.225	1.9	28	EYN07AB356N02

<b>ELECTRICAL CHARACTERISTICS, WEIGHT AND ORDERING CODE</b>								
<b>C<sub>R</sub></b> 120 Hz [μF]	<b>RATED VOLTAGE</b> U <sub>R</sub> [V]	<b>DIMENSION</b> D x L [mm]	<b>TAN δ</b> 120 Hz MAX.	<b>R<sub>ESR</sub></b> 120 Hz MAX. [Ω]	<b>Z</b> 10 kHz MAX. [Ω]	<b>I<sub>R</sub></b> 120 Hz 85°C [A]	<b>WEIGHT</b> [g]	<b>ORDERING NO.</b>
560	250	30 x 30	0.14	0.325	0.225	1.9	30	EYN07BV356N02
560	250	35 x 25	0.14	0.325	0.225	1.9	34	EYN07CU356N02
680	250	25 x 45	0.14	0.275	0.190	2.2	31	EYN07AC368N02
680	250	30 x 35	0.14	0.275	0.190	2.2	35	EYN07BA368N02
680	250	35 x 30	0.14	0.275	0.190	2.2	41	EYN07CV368N02
820	250	30 x 40	0.14	0.235	0.165	2.5	40	EYN07BB382N02
820	250	35 x 35	0.14	0.235	0.165	2.6	48	EYN07CA382N02
1000	250	30 x 45	0.15	0.200	0.140	2.9	45	EYN07BC410N02
1000	250	35 x 40	0.15	0.200	0.140	3.0	55	EYN07CB410N02
1200	250	35 x 45	0.15	0.175	0.120	3.2	62	EYN07CC412N02
1200	250	40 x 40	0.15	0.175	0.120	3.2	72	EYN07DB412N02
1500	250	35 x 50	0.16	0.145	0.100	3.7	68	EYN07CD415N02
1500	250	40 x 50	0.16	0.145	0.100	3.9	89	EYN07DD415N02
1800	250	40 x 60	0.17	0.130	0.090	4.6	107	EYN07DF418N02
82	350	22 x 20	0.12	1.980	1.370	0.53	11	EYN07LW282O02
100	350	22 x 25	0.12	1.635	1.125	0.62	14	EYN07LU310O02
100	350	25 x 20	0.12	1.635	1.125	0.64	14	EYN07AW310O02
120	350	22 x 30	0.12	1.365	0.945	0.73	16	EYN07LV312O02
120	350	25 x 25	0.12	1.365	0.945	0.75	18	EYN07AU312O02
120	350	30 x 20	0.12	1.365	0.945	0.77	20	EYN07BW312O02
150	350	22 x 35	0.12	1.100	0.760	0.86	19	EYN07LA315O02
150	350	25 x 30	0.12	1.100	0.760	0.89	21	EYN07AV315O02
150	350	30 x 20	0.12	1.100	0.760	0.86	20	EYN07BW315O02
180	350	22 x 40	0.13	0.925	0.640	0.99	22	EYN07LB318O02
180	350	25 x 35	0.13	0.925	0.640	1.0	25	EYN07AA318O02
180	350	30 x 25	0.13	0.925	0.640	1.0	25	EYN07BU318O02
180	350	35 x 20	0.13	0.925	0.640	1.0	27	EYN07CW318O02
220	350	22 x 45	0.13	0.765	0.530	1.1	24	EYN07LC322O02
220	350	25 x 35	0.13	0.765	0.530	1.1	25	EYN07AA322O02
220	350	30 x 30	0.13	0.765	0.530	1.2	30	EYN07BV322O02
220	350	35 x 25	0.13	0.765	0.530	1.2	34	EYN07CU322O02
270	350	25 x 45	0.13	0.630	0.435	1.4	31	EYN07AC327O02
270	350	30 x 35	0.13	0.630	0.435	1.4	35	EYN07BA327O02
270	350	35 x 25	0.13	0.630	0.435	1.4	34	EYN07CU327O02
330	350	25 x 50	0.13	0.525	0.360	1.6	35	EYN07AD333O02
330	350	30 x 40	0.13	0.525	0.360	1.6	40	EYN07BB333O02
330	350	35 x 30	0.13	0.525	0.360	1.6	41	EYN07CV333O02
390	350	30 x 45	0.13	0.450	0.310	1.8	45	EYN07BC339O02
390	350	35 x 35	0.13	0.450	0.310	1.8	48	EYN07CA339O02
470	350	30 x 50	0.13	0.380	0.265	2.1	50	EYN07BD347O02
470	350	35 x 40	0.13	0.380	0.265	2.0	55	EYN07CB347O02
560	350	35 x 45	0.14	0.325	0.225	2.3	62	EYN07CC356O02
680	350	35 x 50	0.14	0.275	0.190	2.7	68	EYN07CD368O02
680	350	40 x 40	0.14	0.275	0.190	2.6	72	EYN07DB368O02
820	350	40 x 50	0.14	0.235	0.165	3.1	89	EYN07DD382O02
68	400	22 x 20	0.12	2.380	1.620	0.48	11	EYN07LW268X02
82	400	22 x 25	0.12	1.980	1.350	0.56	14	EYN07LU282X02
82	400	25 x 20	0.12	1.980	1.350	0.58	14	EYN07AW282X02
100	400	22 x 30	0.12	1.635	1.110	0.66	16	EYN07LV310X02
100	400	25 x 25	0.12	1.635	1.110	0.69	18	EYN07AU310X02
100	400	30 x 20	0.12	1.635	1.110	0.70	20	EYN07BW310X02
120	400	22 x 30	0.12	1.365	0.930	0.73	16	EYN07LV312X02
120	400	25 x 25	0.12	1.365	0.930	0.75	18	EYN07AU312X02
120	400	30 x 20	0.12	1.365	0.930	0.77	20	EYN07BW312X02

ELECTRICAL CHARACTERISTICS, WEIGHT AND ORDERING CODE								
$C_R$ 120 Hz [ $\mu$ F]	RATED VOLTAGE $U_R$ [V]	DIMENSION D x L [mm]	TAN $\delta$ 120 Hz MAX.	$R_{ESR}$ 120 Hz MAX. [ $\Omega$ ]	Z 10 kHz MAX. [ $\Omega$ ]	$I_R$ 120 Hz 85°C [A]	WEIGHT [g]	ORDERING NO.
150	400	22 x 35	0.12	1.100	0.750	0.86	19	EYN07LA315X02
150	400	25 x 30	0.12	1.100	0.750	0.89	21	EYN07AV315X02
150	400	30 x 25	0.12	1.100	0.750	0.92	25	EYN07BU315X02
150	400	35 x 20	0.12	1.100	0.750	0.93	27	EYN07CW315X02
180	400	22 x 40	0.13	0.925	0.630	0.99	22	EYN07LB318X02
180	400	25 x 35	0.13	0.925	0.630	1.0	25	EYN07AA318X02
180	400	30 x 25	0.13	0.925	0.630	1.0	25	EYN07BU318X02
180	400	35 x 25	0.13	0.925	0.630	1.1	34	EYN07CU318X02
220	400	22 x 45	0.13	0.765	0.520	1.1	24	EYN07LC322X02
220	400	25 x 40	0.13	0.765	0.520	1.2	28	EYN07AB322X02
220	400	30 x 30	0.13	0.765	0.520	1.2	30	EYN07BV322X02
220	400	35 x 25	0.13	0.765	0.520	1.2	34	EYN07CU322X02
270	400	25 x 45	0.13	0.630	0.430	1.4	31	EYN07AC327X02
270	400	30 x 35	0.13	0.630	0.430	1.4	35	EYN07BA327X02
270	400	35 x 30	0.13	0.630	0.430	1.4	41	EYN07CV327X02
330	400	25 x 50	0.13	0.525	0.355	1.6	35	EYN07AD333X02
330	400	30 x 40	0.13	0.525	0.355	1.6	40	EYN07BB333X02
330	400	35 x 30	0.13	0.525	0.355	1.6	41	EYN07CV333X02
390	400	30 x 45	0.13	0.450	0.305	1.8	45	EYN07BC339X02
390	400	35 x 35	0.13	0.450	0.305	1.8	48	EYN07CA339X02
470	400	30 x 50	0.13	0.380	0.260	2.1	50	EYN07BD347X02
470	400	35 x 40	0.13	0.380	0.260	2.0	55	EYN07CB347X02
560	400	35 x 45	0.14	0.325	0.220	2.3	62	EYN07CC356X02
560	400	40 x 40	0.14	0.325	0.220	2.4	72	EYN07DB356X02
680	400	40 x 50	0.14	0.275	0.190	2.8	89	EYN07DD368X02
820	400	40 x 60	0.14	0.235	0.160	3.3	107	EYN07DF382X02
47	450	22 x 20	0.15	4.275	2.990	0.36	11	EYN07LW247P02
56	450	22 x 20	0.15	3.595	2.515	0.39	11	EYN07LW256P02
68	450	22 x 25	0.15	2.965	2.075	0.46	14	EYN07LU268P02
68	450	25 x 20	0.15	2.965	2.075	0.47	14	EYN07AW268P02
82	450	22 x 30	0.15	2.465	1.730	0.54	16	EYN07LV282P02
82	450	25 x 25	0.15	2.465	1.730	0.56	18	EYN07AU282P02
82	450	30 x 20	0.15	2.465	1.730	0.57	20	EYN07BW282P02
100	450	22 x 35	0.15	2.030	1.420	0.63	19	EYN07LA310P02
100	450	25 x 30	0.15	2.030	1.420	0.65	21	EYN07AV310P02
100	450	30 x 25	0.15	2.030	1.420	0.67	25	EYN07BU310P02
100	450	35 x 20	0.15	2.030	1.420	0.68	27	EYN07CW310P02
120	450	22 x 40	0.15	1.700	1.190	0.73	22	EYN07LB312P02
120	450	25 x 35	0.15	1.700	1.190	0.76	25	EYN07AA312P02
120	450	30 x 25	0.15	1.700	1.190	0.73	25	EYN07BU312P02
120	450	35 x 20	0.15	1.700	1.190	0.75	27	EYN07CW312P02
150	450	22 x 50	0.15	1.365	0.960	0.89	27	EYN07LD315P02
150	450	25 x 40	0.15	1.365	0.960	0.89	28	EYN07AB315P02
150	450	30 x 30	0.15	1.365	0.960	0.87	30	EYN07BV315P02
150	450	35 x 25	0.15	1.365	0.960	0.89	34	EYN07CU315P02
180	450	25 x 45	0.16	1.145	0.805	1.0	31	EYN07AC318P02
180	450	30 x 35	0.16	1.145	0.805	1.0	35	EYN07BA318P02
180	450	35 x 25	0.16	1.145	0.805	0.98	34	EYN07CU318P02
220	450	25 x 50	0.16	0.945	0.660	1.2	35	EYN07AD322P02
220	450	30 x 40	0.16	0.945	0.660	1.2	40	EYN07BB322P02
220	450	35 x 30	0.16	0.945	0.660	1.1	41	EYN07CV322P02
270	450	30 x 45	0.16	0.780	0.545	1.4	45	EYN07BC327P02
270	450	35 x 35	0.16	0.780	0.545	1.3	48	EYN07CA327P02
330	450	30 x 50	0.16	0.645	0.450	1.6	50	EYN07BD333P02
330	450	35 x 40	0.16	0.645	0.450	1.5	55	EYN07CB333P02
390	450	35 x 45	0.16	0.550	0.385	1.7	62	EYN07CC339P02

<b>ELECTRICAL CHARACTERISTICS, WEIGHT AND ORDERING CODE</b>								
$C_R$ 120 Hz [ $\mu$ F]	RATED VOLTAGE $U_R$ [V]	DIMENSION D x L [mm]	TAN $\delta$ 120 Hz MAX.	$R_{ESR}$ 120 Hz MAX. [ $\Omega$ ]	Z 10 kHz MAX. [ $\Omega$ ]	$I_R$ 120 Hz 85°C [A]	WEIGHT [g]	ORDERING NO.
470	450	35 x 50	0.16	0.465	0.325	2.0	68	EYN07CD347P02
470	450	40 x 40	0.16	0.465	0.325	2.0	72	EYN07DB347P02
560	450	40 x 50	0.17	0.395	0.280	2.3	89	EYN07DD356P02
680	450	40 x 60	0.17	0.335	0.235	2.7	107	EYN07DF368P02
68	500	22 x 30	0.15	2.965	1.930	0.44	16	EYN07LV268Y02
82	500	22 x 35	0.15	2.465	1.605	0.51	19	EYN07LA282Y02
82	500	25 x 30	0.15	2.465	1.605	0.53	21	EYN07AV282Y02
100	500	22 x 40	0.15	2.030	1.320	0.60	22	EYN07LB310Y02
100	500	25 x 35	0.15	2.030	1.320	0.62	25	EYN07AA310Y02
120	500	25 x 40	0.15	1.700	1.105	0.71	28	EYN07AB312Y02
150	500	30 x 35	0.15	1.365	0.890	0.82	35	EYN07BA315Y02
180	500	30 x 40	0.16	1.145	0.745	0.94	40	EYN07BB318Y02
220	500	30 x 45	0.16	0.945	0.615	1.1	45	EYN07BC322Y02
270	500	35 x 45	0.16	0.780	0.505	1.3	62	EYN07CC327Y02
330	500	35 x 50	0.16	0.645	0.420	1.5	68	EYN07CD333Y02
470	500	40 x 50	0.16	0.465	0.305	1.9	89	EYN07DD347Y02
560	500	40 x 60	0.17	0.395	0.260	2.2	107	EYN07DF356Y02
680	500	40 x 60	0.17	0.335	0.220	2.4	107	EYN07DF368Y02

**LEAKAGE CURRENT**

Formula for the calculation of the maximum leakage current  $I_L$  for acceptance tests. Testing conditions:  $U_R$ , 20°C, 5 minutes.

$$I_L (300S)/\mu A \leq 3 \times \sqrt{(C_R/\mu F) \times (U_R/V)}$$

Table for the calculation of the maximum 10 kHz impedance at low temperatures.

<b>LOW TEMPERATURE BEHAVIOR</b>															
Z (10kHz) [ $\Omega$ ] = TABULAR VALUE / $C_R$ [ $\mu$ F]															
$T_a$ [°C]	RATED VOLTAGE $U_R$ [V]														
	6.3	10	16	25	35	50	63	100	160	200	250	350	400	450	500
- 25	9000	7200	5400	4050	3150	2700	2250	1710	1960	1820	1680	1870	1870	1870	1870
- 40	30000	24000	18000	13500	10500	12000	10000	7600	7000	6500	7200	6600			

The lower limit of the series resistance and impedance is given by the ohmic part of the contact points and the foil resistance values. Therefore it will not always be possible to achieve calculated values below 0.03 $\Omega$ .



This datasheet has been download from:

[www.datasheetcatalog.com](http://www.datasheetcatalog.com)

Datasheets for electronics components.